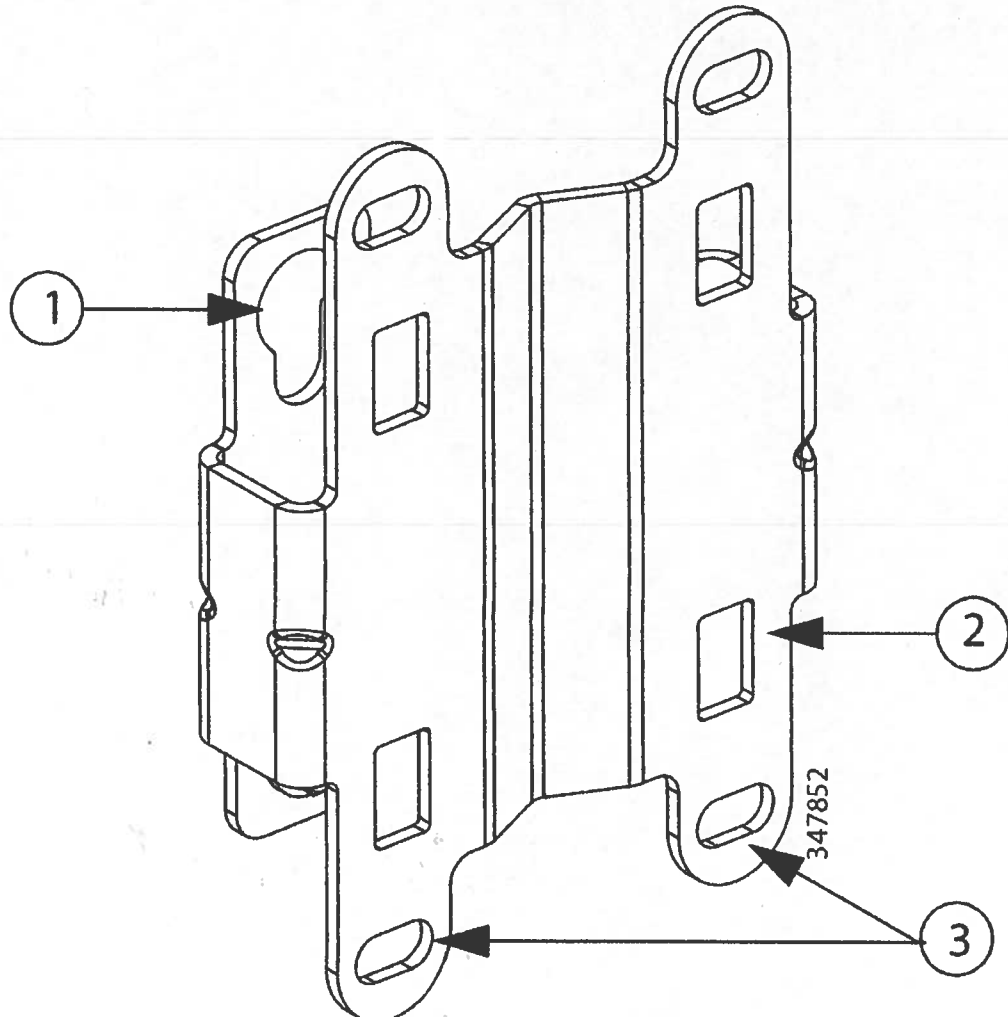


Mounting Bracket for Wall and Pole Mounting



				Building/Facility Name	
No.	BY	DATE	REVISIONS	App'd	
Scale		NONE			
Sheet No.		1 of 1		COMMUNICATIONS TYPICAL 1532 ACCESS POINT MOUNT POLE OR WALL	
UBC Project No.		Design'd			
		Approv'd		B. MACDONALD-RGDD 7 MAR 11	
				UNIVERSITY OF BRITISH COLUMBIA	
				File No. ITSTD-52	
				Rev. 1	

This drawing and its contents are confidential, and are for the private information of the Client Name. It is not to be relied upon or used in whole or in part for other purposes or by or for the benefit of others without prior adaptation and specific written verification by UBC, Information Technology.