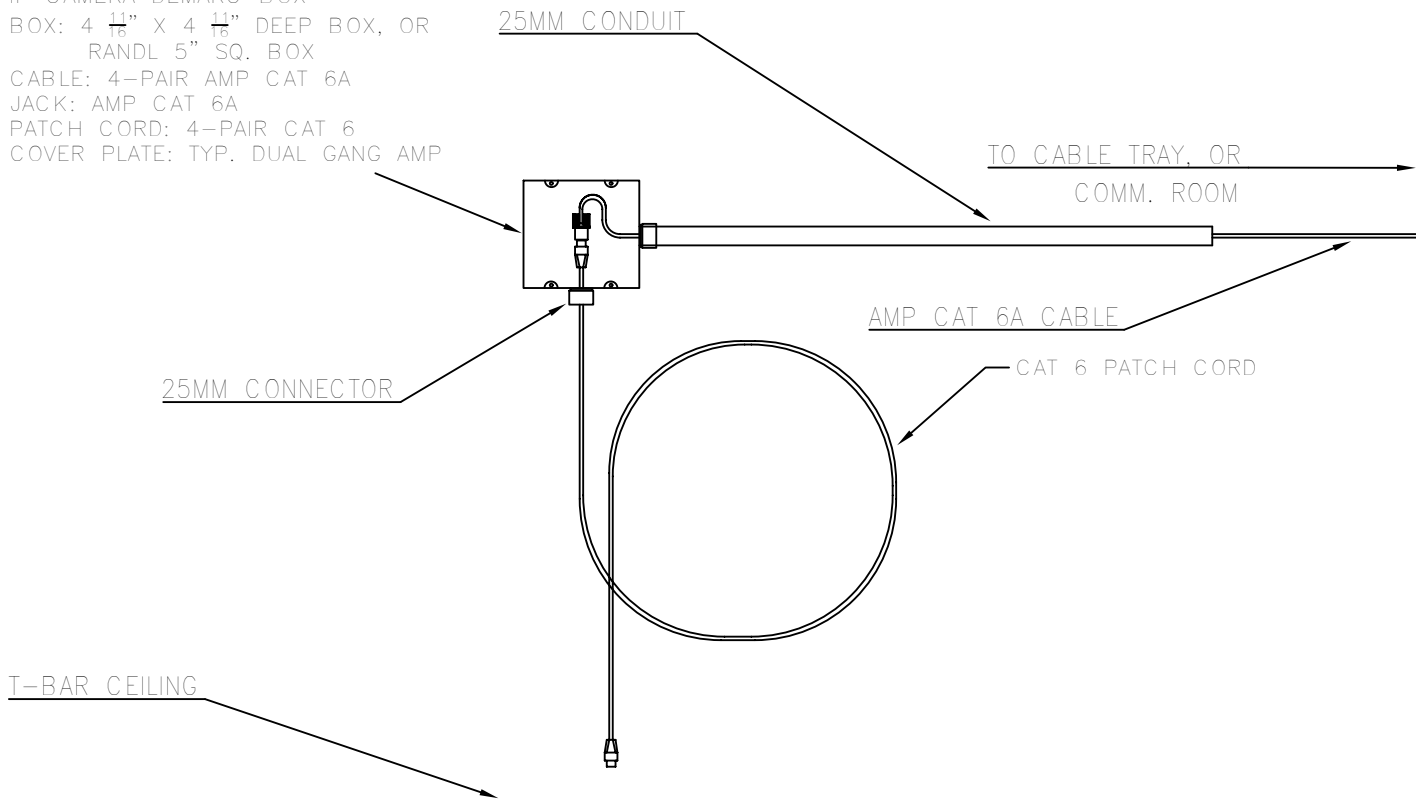
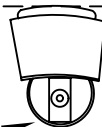


IP CAMERA DEMARC BOX
 BOX: 4 $\frac{11}{16}$ " X 4 $\frac{11}{16}$ " DEEP BOX, OR
 RANDL 5" SQ. BOX
 CABLE: 4-PAIR AMP CAT 6A
 JACK: AMP CAT 6A
 PATCH CORD: 4-PAIR CAT 6
 COVER PLATE: TYP. DUAL GANG AMP



T-BAR CEILING

IP CAMERA
 LOCATION TO BE
 DETERMINED BY
 UBC - SECURE ACCESS



| 1 | DS | 18-11-13 | CANGE DEMARC FROM BMS TO IP CAMERA | |
|-----------------|----|----------|------------------------------------|-----------------------------|
| No. | BY | DATE | REVISIONS | App'd |
| Scale | | NONE | BY | DATE |
| Sheet No. | | 1 of 1 | Drawn | DS 1 FEB 14 |
| UBC Project No. | | | Check'd | TZ 5 FEB 15 |
| | | | Design'd | |
| | | | Approv'd | B. MACDONALD-RCDD 15 FEB 15 |

Building/Facility Name

COMMUNICATIONS DEMARC
 FOR IP CAMERA IN
 T-BAR CEILING - (TYPICAL)



This drawing and it's contents are confidential, and are for the private information of the Client Name. It is not to be relied upon or used in whole or in part for other purposes or by or for the benefit of others without prior adaptation and specific written verification from UBC, Information Technology.



UNIVERSITY OF BRITISH COLUMBIA