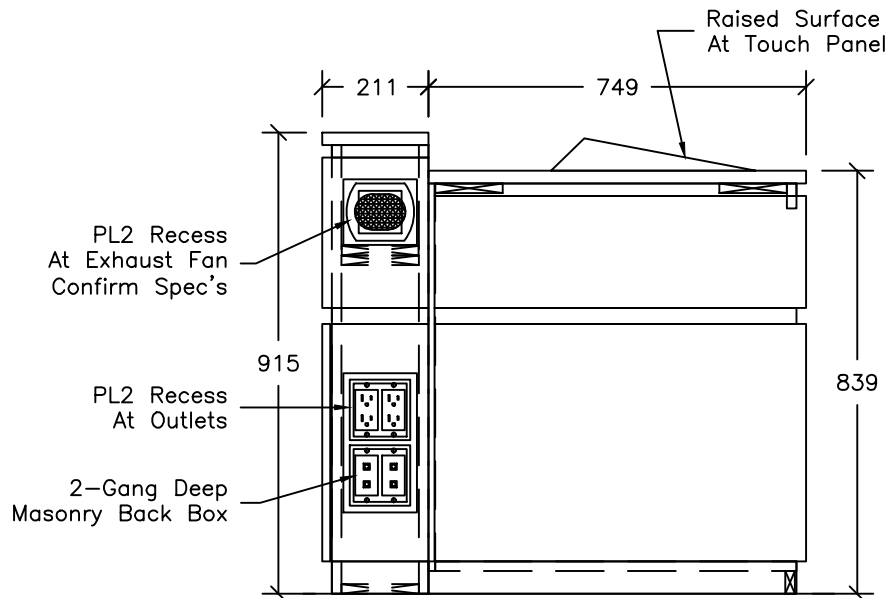


1
-

SINGLE BAY LECTERN TOP

N.T.S.



2
-

SINGLE BAY LECTERN SIDE

N.T.S.

NOTE: UBC IT AUDIO VISUAL SHALL CONFIRM THE FINAL LECTERN CONFIGURATION.
CONTACT UBC IT AUDIO VISUAL FOR DETAIL MILLWORK SHOP DRAWINGS.



INFORMATION TECHNOLOGY
Audio Visual Services

THE UNIVERSITY OF BRITISH COLUMBIA
INFORMATION TECHNOLOGY
AUDIO VISUAL SERVICES

B32 - 2194 HEALTH SCIENCES MALL
VANCOUVER BC CANADA V6T 1Z3
T 604.862.6155 F 604.822.2004

1	JUN 25, 2021	CREATION	
NO	DATE	REVISIONS	

UBC TECHNICAL GUIDELINES
DIVISION 27
UBC IT AV

SINGLE BAY LECTERN

AVSK-14

DRAWN	SCALE	PROJECT #	DATE
JS	N.T.S.		JUNE 25, 2021